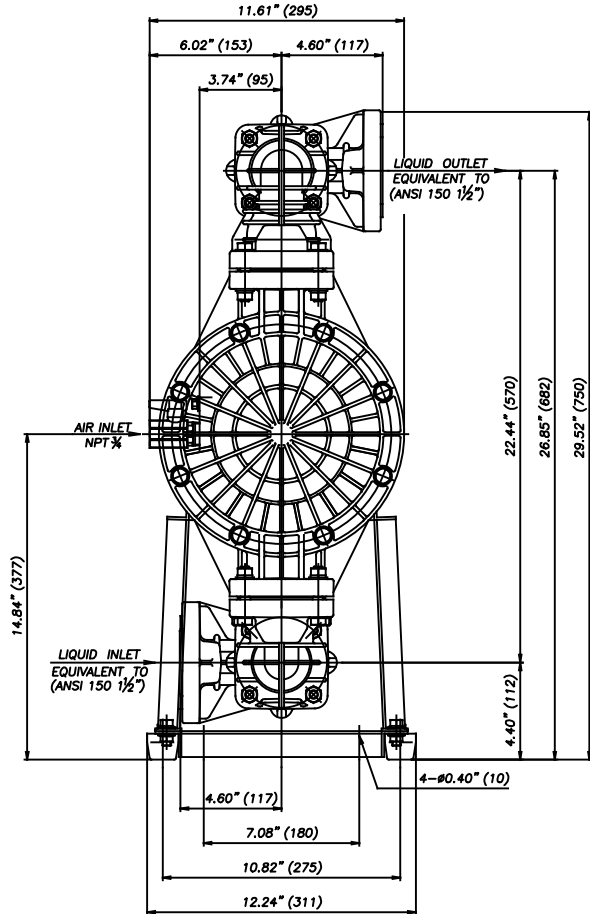
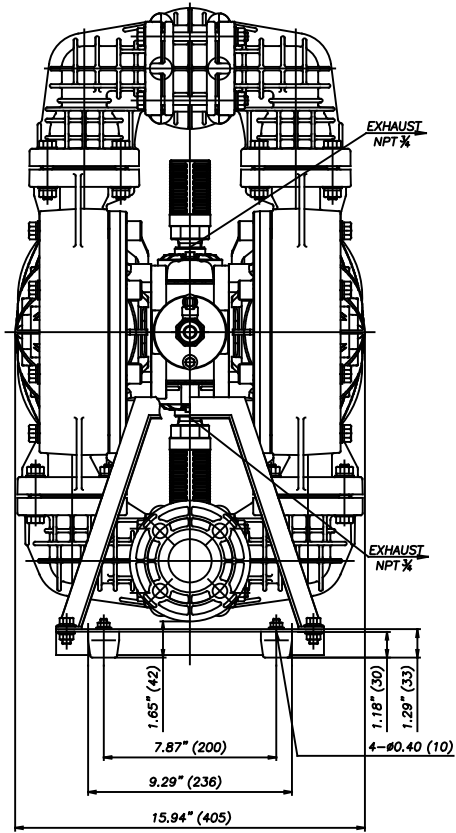



**Materials of Construction**

PUMP BODY MATERIAL	PVDF
DIAPHRAGM MATERIAL	T=PTFE
	H=TPEE
	S=TPD
	V=FKM
	E=EPDM

REVISIONS			
REV	DESCRIPTION	DATE	APPROVED
A	RELEASED	01/15/2026	JP



NOTES:  
1. SOME FEATURES MAY VARY SLIGHTLY.

<p><b>PROPRIETARY</b></p> <p>THIS DRAWING CONTAINS CONFIDENTIAL INFORMATION PROPRIETARY TO IWAKI AMERICA. IT MUST NOT BE REPRODUCED OR FORWARDED TO OTHERS OR USED IN ANY OTHER WAY, IN WHOLE OR IN PART, UNLESS AUTHORIZED IN WRITING BY IWAKI AMERICA.</p>		<p><b>TOLERANCES</b></p> <p>DIMENSIONS IN INCHES UNLESS OTHERWISE NOTED: X = .050 .XX = .010 .XXX = .00</p> <p>REBURR AND BREAK ALL SHARP EDGES</p>		 <p>www.IwakiAir.com</p>		<p>5 Boynton Rd. Hopping Brook Park Holliston, MA 01746 (508) 429-1440</p>	
<p>MATERIAL: SEE CHART</p>				<p>BY: BA      DATE: 01/15/2026</p>		<p>SIZE: B      DWG NO.: TC-X00201</p>	
<p>APPROVED: JP      DATE: 01/15/2026</p>		<p>DESCRIPTION: TC-X400V_A-M</p>		<p>REVISION: A</p>		<p>SCALE: FULL      THIRD ANGLE PROJECTION      SHEET: 1 OF 1</p>	